

DS-2CE5582P(N)-VFIR3 DS-2CE1582P(N)-VFIR3 600TVL Vari-focal IR Cameras



DS-2CE5582P(N)-VFIR3



DS-2CE1582P(N)-VFIR3

Hikvision introduces two powerful additions to its DIS camera lineup

Equipped with the DIS chipset and IR cut filter, the DS-2CE5582P(N)-VFIR3 and DS-2CE1582P(N)-VFIR3 are high performance true day/night 600TVL cameras capable of illuminating subjects up to 40m (120 feet) distance thanks to its built-in IR LEDs, which delivers exceptionally clear images in complete darkness. The built-in 2.8 -12mm vari-focal lens provides maximum flexibility in any installation environment. These cameras also have an IP 66 environmental rating for outdoor application and operate well in a wide temperature range of -40°C to 60°C (-40°F to +140°F).



» DIS

By adopting SOC technology and integrating the Sensor and DSP, the DIS technology has the following features: impact structure design, high integrity, superior reliability and low power consumption.



» True Day/night

Featuring IR Cut Filter Removable (ICR) functionality, the camera uses a mechanical way to detect changes in lighting conditions, and then switches between color and B/W modes. It delivers brilliant color during the day and outstanding IR sensitivity at night.



» Indoor/Outdoor Application

Having an IP 66 environmental rating, the camera is designed for indoor or outdoor applications.



» Wide Operating Temperature Range

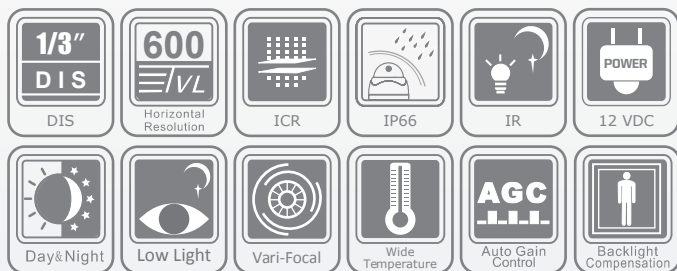
Equipped with the DIS chipset, this camera operates well in a temperature range of -40°C to 60°C (-40°F to +140°F).



» Easy Installation

Vari-focal lens provides different focal lengths for covering the most commonly used angles of view. Since the scope of images to be captured can be adjusted by changing focal lengths, there is no need for moving the camera or changing lenses even when different angles of view are desired.

DS-2CE5582P(N)-VFIR3 DS-2CE1582P(N)-VFIR3 600TVL Vari-focal IR Cameras



- 1/3" DIS
- True day/night
- 600 TVL horizontal resolution
- 2.8 ~ 12mm vari-focal lens
- 40m IR distance
- Wide operating temperature range

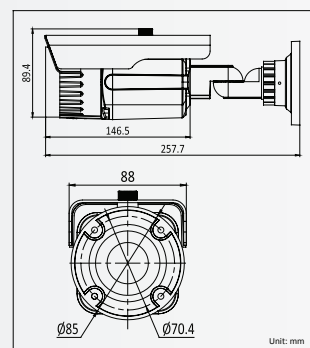
Model	DS-2CE5582P(N)-VFIR3	DS-2CE1582P(N)-VFIR3
Camera		
Image sensor	1/3" DIS	
Signal system	PAL/NTSC	
Effective pixels	720(H) × 480(V)	
Min. illumination	0.1Lux @ (F1.2,AGC ON), 0 Lux with IR 0.14Lux @ (F1.4,AGC ON), 0 Lux with IR	
Shutter speed	PAL: 1/25 s to 1/15,000 s NTSC: 1/30 s to 1/15,000 s	
Lens	2.8-12mm @ F1.4 Angle of view: 80° - 27.2°	
Lens mount	Φ14	
Angle adjustment	Pan: 0 - 360°, Tilt: 0 - 75° Rotation: 0 - 360°	Pan: 0 - 360°, Tilt: 0 - 90° Rotation: 0 - 360°
Day & night	IR cut filter with auto switch	
Horizontal resolution	600 TVL	
Synchronization	Internal synchronization	
Video output	1Vp-p composite output (75 Ω/BNC)	
S/N ratio	More than 52 dB	
BLC	On	
General		
Working temperature/humidity	-40 °C - 60 °C (-40 °F - 140 °F) Humidity 90% or less (non-condensing)	
Power supply	12 V DC ± 10%	
Power consumption	Max. 4 W (Max. 6.5 W with IR cut filter on)	
Ingress protection level	IP66	
IR range	40 meters	
Dimensions	134.21 × 123.85 × 91.42mm (5.28" × 4.88" × 3.60")	88 × 89.4 × 257.7mm (φ 3.46" × 3.52" × 10.15")
Weight	800g (1.76l lbs)	1350g (2.97 lbs)

Available models

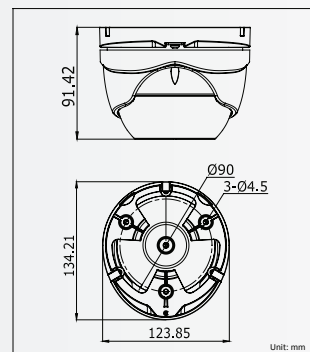
> DS-2CE5582P-VFIR3, DS-2CE5582N-VFIR3

> DS-2CE1582P-VFIR3, DS-2CE1582N-VFIR3

DS-2CE1582P(N)-VFIR3



DS-2CE5582P(N)-VFIR3



Hikvision DIS Cameras line-up

500TVL Series(Fixed Lens):

DS-2CE5512P(N)
DS-2CE5512P(N)-IRP
DS-2CE5512P(N)-IR
DS-2CE1512P(N)-IR

600TVL Series(Fixed Lens):

DS-2CE5582P(N)
DS-2CE5582P(N)-IR1
DS-2CE5582P(N)-IR3
DS-2CE1582P(N)-IR1
DS-2CE1582P(N)-IR3

● 600TVL Series(VF Lens):

DS-2CE5582P(N)-VFIR3
DS-2CE1582P(N)-VFIR3